



**IP Speaker**

**User's Manual**



---

Thank you for using our home IP speaker series. Please carefully read this manual first for better use.

<http://www.auxdio.com.cn>

## Overview

This IP speaker is a stereo speaker specially designed for home IP music system, using the network as signal transmission carrier, integrated with decoder and power amplifier. 2×10W/4Ω and 2×20W/4Ω models are optional. The speaker is a stereo L-channel output type, with a extension interface at the rear for connection to an R-channel speaker.

Digital signals from the host is transferred, via the network switch, to the speaker for D/A conversion, in which analog signals are generated and amplified to avoid any external interference. Therefore, the S/N ratio is improved, and the sound becomes purer and clearer.

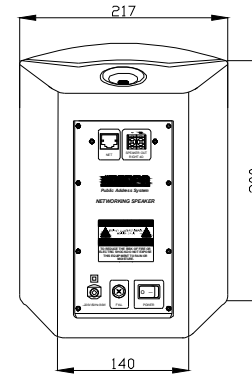
Transmission of all signals is realized through only one network cable, without using an additional signal cable or audio cable, so that the cost is reduced and environment can be protected. The IP speaker is always your ideal option.

## Features

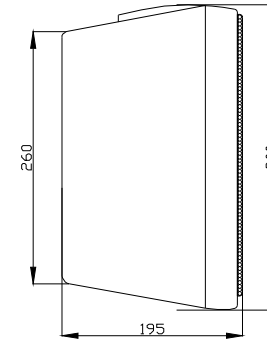
- l Active digital speaker using Ethernet as signal carrier.
- l With built-in decoder, D/A conversion is performed inside the speaker.
- l With built-in stereo power amplifier, the L-channel IP speaker is connected with an R-channel speaker via the extension interface.
- l Controllable through a multi-homed host.
- l Various audio sources selectable through PC software.
- l Controllable through Internet.

## Dimensions

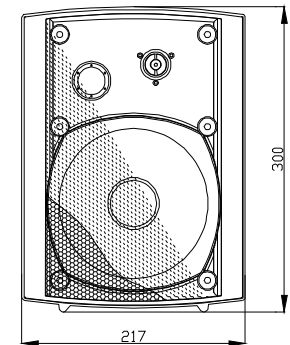
Big model dimensions:



Rear view

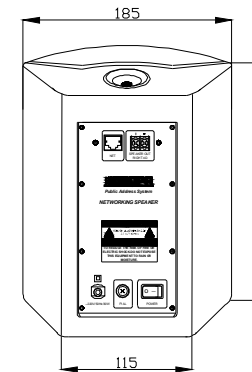


Side view

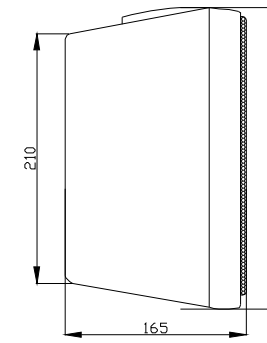


Front view

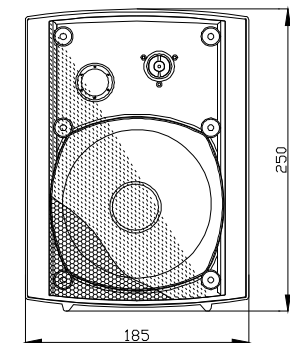
Small model dimensions:



Rear view



Side view

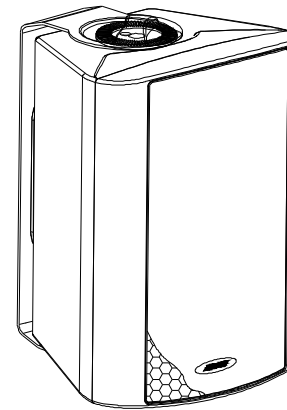


Front view

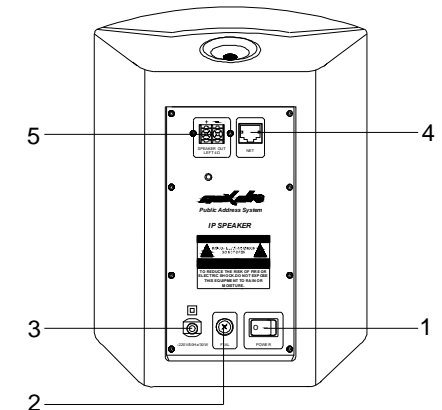
## Specifications

Item		Specifications	
Built-in power amplifier specifications	Rated power	Small model	2×10W
		Big model	2×20W
	Frequency response	20Hz-20kHz	
	S/N ratio	≥80dB	
	Harmonic distortion	<0.5%	
Resistance of connected speaker		4Ω	
Speaker sensitivity		≥90dB spl	
Power supply		~110V-250V	
Rated power consumption	Small model	30W	
	Big model	60W	

## Description of Components



3D view



Rear view

### 1. On/Off switch

Turn the switch to the “-” position to switch on the power, or turn the switch to the “o” position to switch off the power.

### 2. Fuse

In case of damage, the fuse shall be replaced with a new one of the same specifications.

### 3. AC220V power cord

Never connect the speaker to the mains before the system wiring is completed.

### 4. Network interface

The interface is connected to an IP system, which may be a computer installed with a home IP music system control software or a terminal controller of home IP music system.

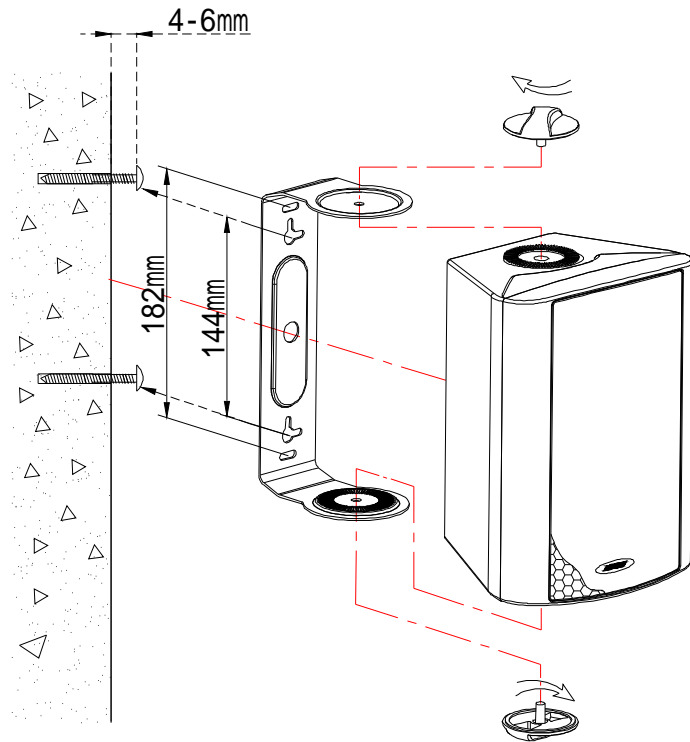
### 5. Speaker extension interface

The interface is connected to a R-channel speaker of a fixed-resistance type of 4 Ω /10W or 4 Ω /20W. Do not reverse polarity.

**Tip: A terminal consists of an L-channel speaker, which is the IP speaker, and an R-channel speaker, which is a fixed-resistance speaker of mating specifications.**

# Installation

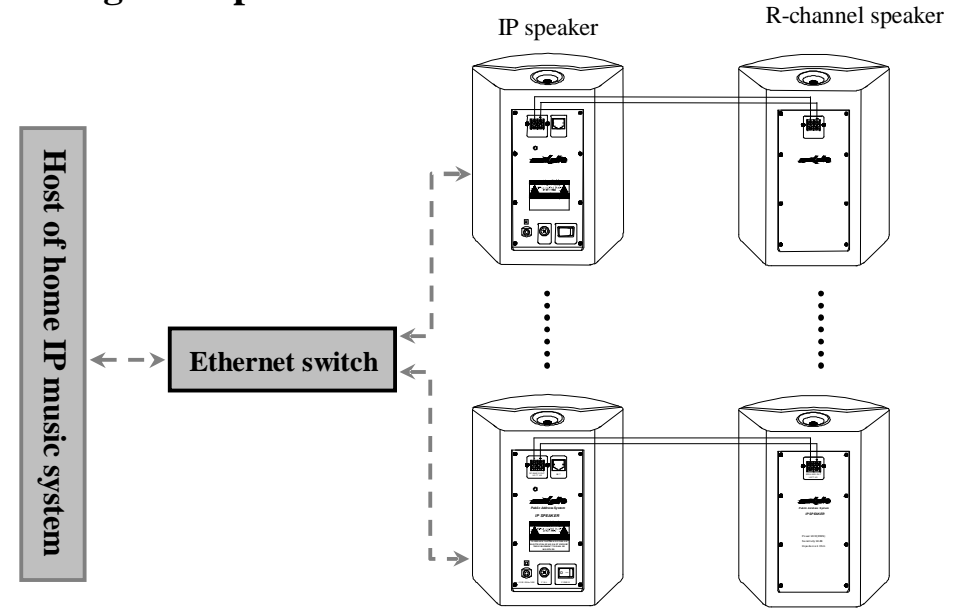
## 1. Installation diagram



### Installation procedures

1. Install the support at the rear, and mark the positions of installation holes and cable holes.
1. Drill suitable screw holes on the installation surface. The wiring holes shall be sufficiently sized to allow speaker cables to pass through.
2. Pass the speaker cables through the support. Align the support with screw holes, and fix the installation surface.
3. Mount the speaker on the support with support knobs. Do not tighten the knobs first, so as to adjust it later while wiring the terminals on the rear.
4. Adjust the speaker to the desired angle after wiring, and tighten the support knobs.

# Wiring Example



# Frequency Response Curve

