



P.A. SERIES

MIXER AMPLIFIER MP 210P
MP 310P
MP 610P
MP1010P



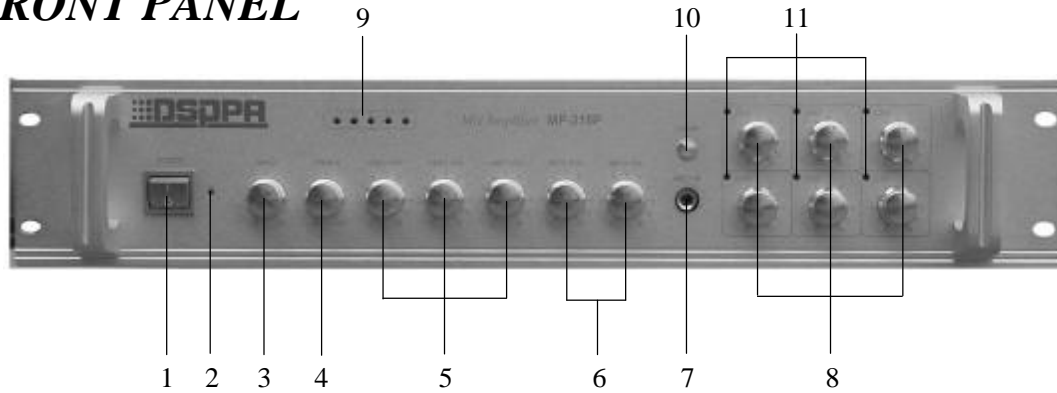
OWNER'S MANUAL

Before operating, please read this manual carefully.

FEATURES

- | 2 MIC inputs, 3 AUX inputs, and 1 AUX output.**
- | 4~16 Ohms rated output.**
- | 6-zone output.**
- | Individual volume control and output level indication for each zone output.**
- | Mute function for priority input.**
- | Treble and Bass control**
- | Chime with priority output**
- | 5-unit LED Meter for monitoring volume output in each zone.**
- | Output short circuit protection and caution.**

FRONT PANEL

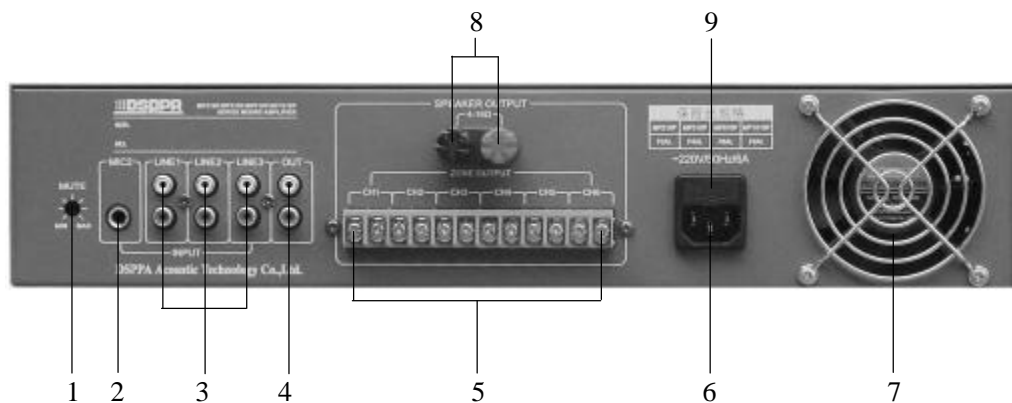


- 1 Power Switch
- 2 LED Power Indicator
- 3 Bass Adjustment Button
- 4 Treble Adjustment Button
- 5 AUX Input Volume Adjustment Button
- 6 MIC Input Volume Adjustment Button
- 7 MIC 1 Priority Input Jack
- 8 Zone Volume Adjustment Button (1-6)
- 9 5-unit LED Level Meter
- 10 Chime Button
- 11 Zone Level Indicator

Note:

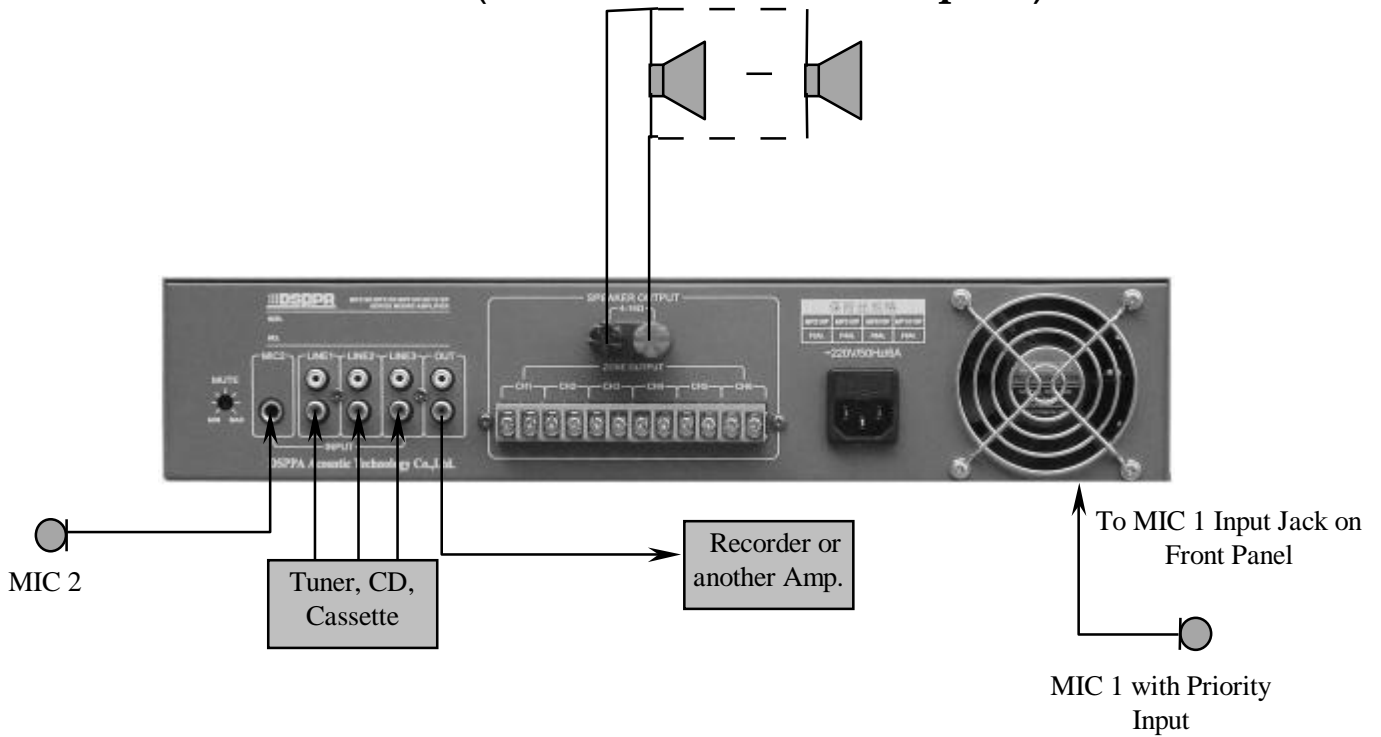
When all five units of the LED level meter remain lit, it indicates that the sound is distorted. In such case, adjusting each volume adjustment button until LED unit 4 (+8dB) and LED unit 5 (+10dB) flash.

REAR PANEL

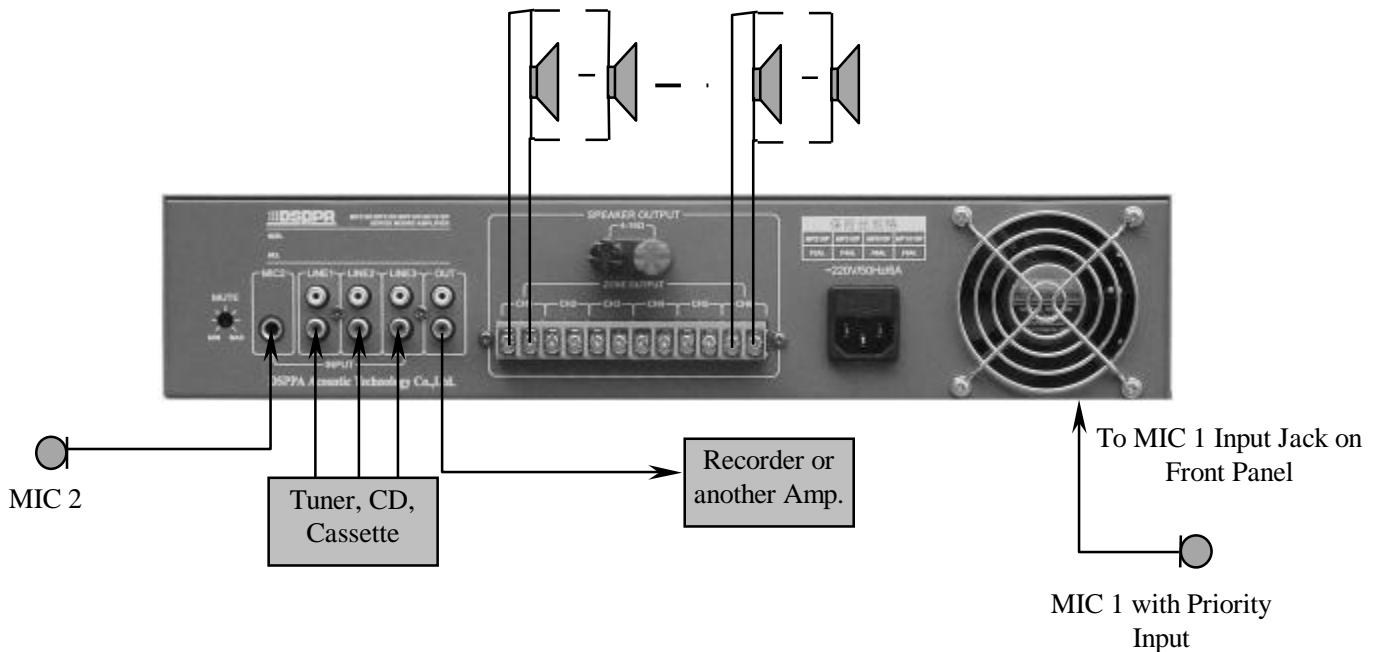


- 1 Mute control Button
- 2 MIC 2 Input Jack
- 3 AUX Input Jack 1, 2,3
- 4 AUX Output Jack (link with another amplifier or recording equipment)
- 5 6-zone Output
- 6 AC Power Source Insert
- 7 Fan Exhaust Window
- 8 Speaker Output Terminal
- 9 Fuse

CONNECTIONS (without multi-zone outputs)



CONNECTIONS (with multi-zone outputs)

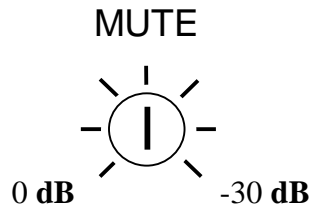


Note:

Individual zone opening and closing may be achieved by adjusting **Zone Volume Adjustment Button** on **Front Panel**.

MUTE FUNCTION

MIC 1 Input Jack and **Chime Button** have the highest level of priority. Input signals from them can override other input signals. The grade of this **MUTE** function can be adjusted within the range from **0 dB** to **-30 dB** by adjusting **MUTE Control Button** on rear panel. It is preset at **-30 dB** before leaving factory.



PRECAUTION OF INSTALLATION

1. Do not block ventilation holes.
2. The amplifier should not be placed in any of the areas:
 - 1) with poor ventilation;
 - 2) exposed to direct sunlight;
 - 3) with high ambient temperature or adjacent to heat-generating equipment;
 - 4) with high humidity or heavy dust;
 - 5) susceptible to vibration.
3. Make sure the power outlet conforms to the plug of the unit.
4. Do not use this unit if the electrical power cord is frayed or broken.
5. Always operate the unit with the ground wire
6. If a short alarm rings after turning on power and inputting signals, there must be an output short circuit fault. In such case, power should be cut off immediately. Do not turn on the power until the fault is removed.

SPECIFICATIONS

<i>Model</i>	<i>MP210P</i>	<i>MP310P</i>	<i>MP610P</i>	<i>MP1010P</i>
Rated Output	60W	120W	250W	350W
Output Regulation	Less than 2dB			
Input	MIC: Less than 3.5 mV			
	LINE: Less than 300 mV			
Frequency Response	80 Hz ~ 16 kHz (±3dB)			
Distortion	Less than 0.5% (at 1KHz)			
Ratio of Signal to Noise	MIC: more than 71 dB			
	LINE: more than 85 dB			
Tone	Bass: ±10 dB (at 100 Hz)			
	Treble: ±10 dB (at 10 kHz)			
Protection	DC voltage; overload; short-circuit.			
Mute	Input signals from MIC 1 override other input signals			
Power Requirements	AC 220V / 50Hz			
Power Consumption	120 W	250 W	500 W	650 W
Dimensions	418×338×88 mm			
Gross Weight	11.5 kg	12.5 kg	14.5 kg	15.5 kg
Net Weight	10 kg	11 kg	13 kg	14 kg

Specifications are subject to change without notice

CAUTION

- When the “Power switcher” is off, please pull out the power cord from the socket.
- Please keep the equipment out of water.
- To reduce the risk of electric shock, do not remove the cover.
- Please contact us or authorized dealers for servicing.

DSPPA AUDIO CO., LTD