

DH-IPC-HDBW3110

1/3" 1.3Mp CCD HD Waterproof Network Camera



DH-IPC-HDBW3110P: 1.3 Mp CCD, PAL, 12fps@1.3M and 25fps@720p, PoE

DH-IPC-HDBW3110N: 1.3 Mp CCD, NTSC, 15fps@1.3M and 30fps@720p, PoE

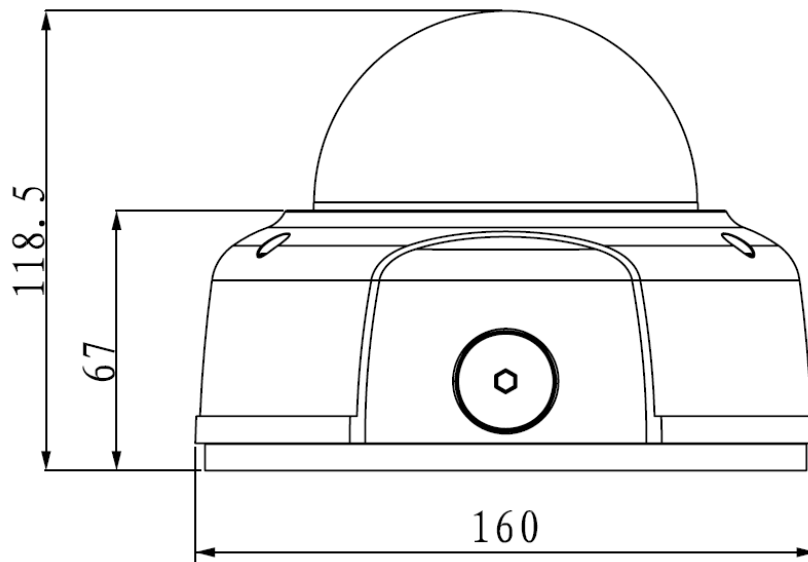
Features

- > 1/3" 1.3 Mp SONY progressive scan CCD image sensor
- > High-performance TI DaVinci series DSP
- > H.264 video compression and JPEG image capture
- > 12/15fps@1.3M(1280×960) and 25/30fps@720p resolution
- > Dual encoding streams supported
- > Support ICR true Day/Night
- > Support C/CS Auto Iris lens 2.8~12mm/F1.6
- > Max. IR distance: 20m
- > Support Alarm I/O
- > Max 32GB Hot-swappable SD card for local storage
- > Support DC12V/AC24V dual power supply, PoE

DH-IPC-HDBW3110

> Built-in web server, NVR, MSS & CMS

Dimensions (mm)



DH-IPC-HDBW3110

Specifications

Model	DH-IPC-HDBW3110P	DH-IPC-HDBW3110N
General		
Processor	TI DaVinci Series DSP	
Operating System	Embedded LINUX	
Resource	Simultaneous remote monitoring, local recording and remote control	
User Interface	WEB, CMS(DSS, PSS)	
Camera		
Image Sensor	1/3" 1.3 Megapixel SONY progressive scan CCD	
Effective Pixels	1280(H)×1024(V)	
Electronic Shutter	Auto/Manual, 1/25~1/10000s	Auto/Manual, 1/30~1/10000s
Mini. Illumination	0.2LUX/F1.6(Color), 0.01LUX/F1.6(B/W);0LUX(IR on)	
Signal Noise Ratio	>50dB	
Gain Control	Auto/Manual	
White Balance	Auto/Manual	
Day/Night	ICR	
Lens	CS mount 2.8~12mm /F1.6	
IR Distance	Max. 20m	
Auto Iris	Support	
Video		
Video Compression	H.264/JPEG	
Image Resolution	1.3M(1280×960) / 720p(1280×720) / D1(704×576) / CIF(352×288) / VGA(640×480)	1.3M(1280×960) / 720p(1280×720) / D1(704×480) / CIF(352×240) / VGA(640×480)
Encoding Speed	Main Stream: 1.3M(1~12fps), 720p/ D1/CIF/ VGA(1~25fps)	Main Stream: 1.3 M(1~15fps), 720p/ D1/CIF/ VGA(1~30fps)
	Extra Stream: D1/CIF (1~25fps)	Extra Stream: D1/CIF (1~30fps)
Bit Rate	160K~8Mbps	
Snapshot	Fastest 1fps JPEG capture	
Video Format	PAL	NTSC
Analogue Video Output	1 channel BNC(1.0Vp-p, 75Ω)	
Audio		
Audio Compression	G.711a / G.711u / PCM	
Bit Rate	128kbps/64kbps/10.2kbps	
Input	1 channel RCA	
Output	1 channel RCA	
Network		
Ethernet	RJ-45 (10/100Base-T)	
Network Functions	HTTP, TCP/IP, ICMP, RTSP, RTP, UDP, SMTP, NTP, DHCP, DNS, IP Filter, PPPOE, DDNS, FTP, , Alarm Server	
Remote Operation	Monitor, PTZ control, Playback, System setting, File download, Log information, Maintenance & Upgrade	
Auxiliary Interface		

DH-IPC-HDBW3110

SD Card	Max 32GB, local storage
Alarm	2 Input / 1 Output
Environmental	
Power Supply	DC12V/AC24V, PoE
Power Consumption	<10W
Operating Environment	-10°C~ +60°C, 10%~90%
Dimension	φ160x118.5mm
Weight	1.25Kg